



 **Gemma
Group**

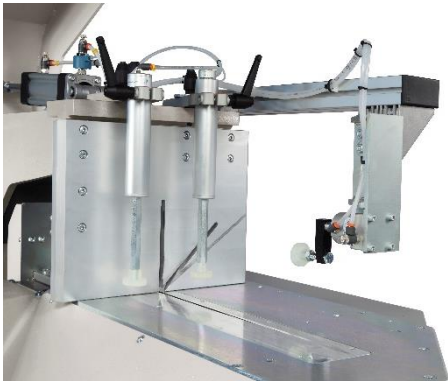
Kappa
Single-head cutting-off machine

Single-head cutting-off machine with upstroke tilting and pivoting blade for compound cuts

TECHNICAL INFO

Structure

- electro-welded steel basement
- 2 vertical pneumatic clamps
- head tilting and pivoting for compound cuts
- mechanical stops for quick 45° / 90° angle selections
- worktable setting at each angle by means of protractor indicator and display



Cutting unit

- operator group with manual positioning
- digital display to view rotation angles
- Venturi lubrication system
- widia blade



Power supply

Electric power	400 V / 50 Hz
Motor power	3 kW
Air compressed supply	7 Bar
Air consumption per cycle	22 NI

Cutting unit

Blade diameter	600 mm
Shaft diameter	30 mm
Blade revolutions	2.800 rpm
Max. cutting speed	6 m/min
Blade output management	oleopneumatic
Tilting angles	90°-135°
Pivoting angles	40°-157,5°


Safety

- integral cutting area protections with automatic opening and closing
- complies with CE safety regulations as standard

Electrical cabinet

- IP 55 protection

Cutting capacity

		
90°	200X200 mm	400x150 / 450x90 mm
45°	170x170 mm	310x100 / 275x100 mm

General specifications



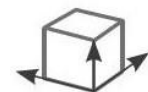
600 mm



3 kW



1.050 kg

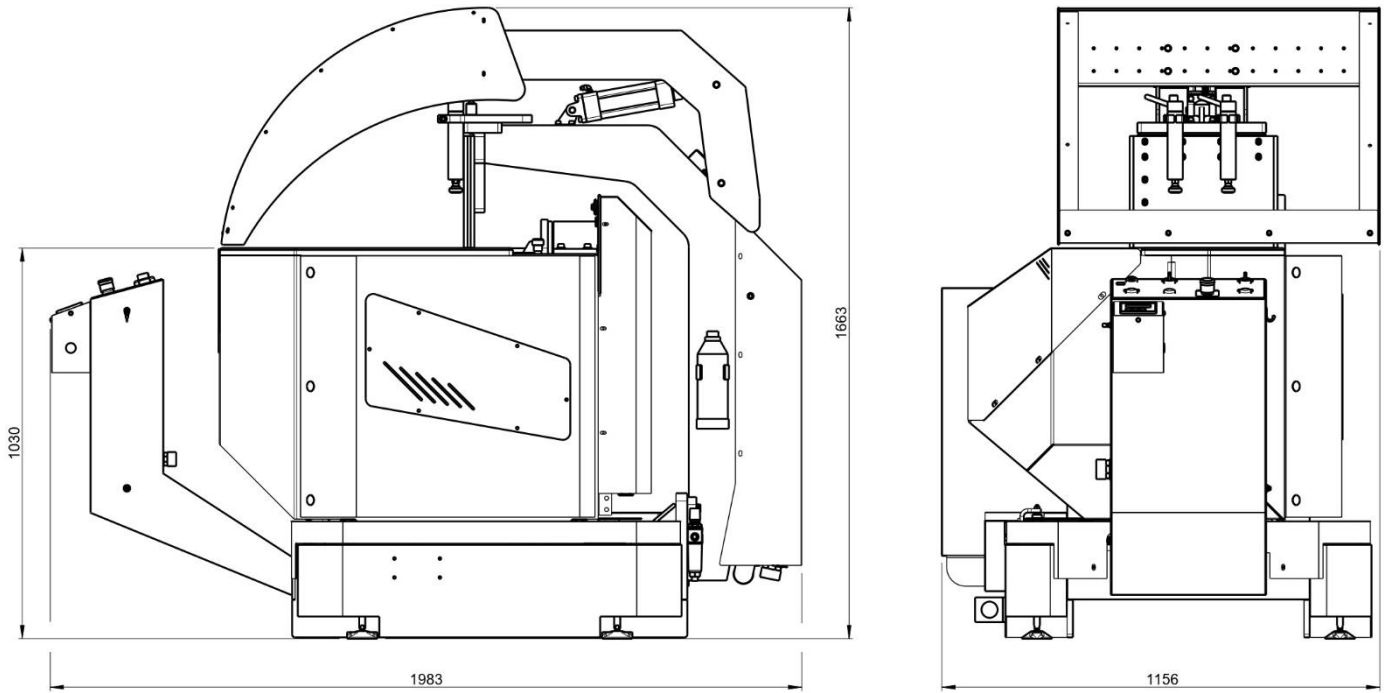


2.200x1.200x1.800 mm

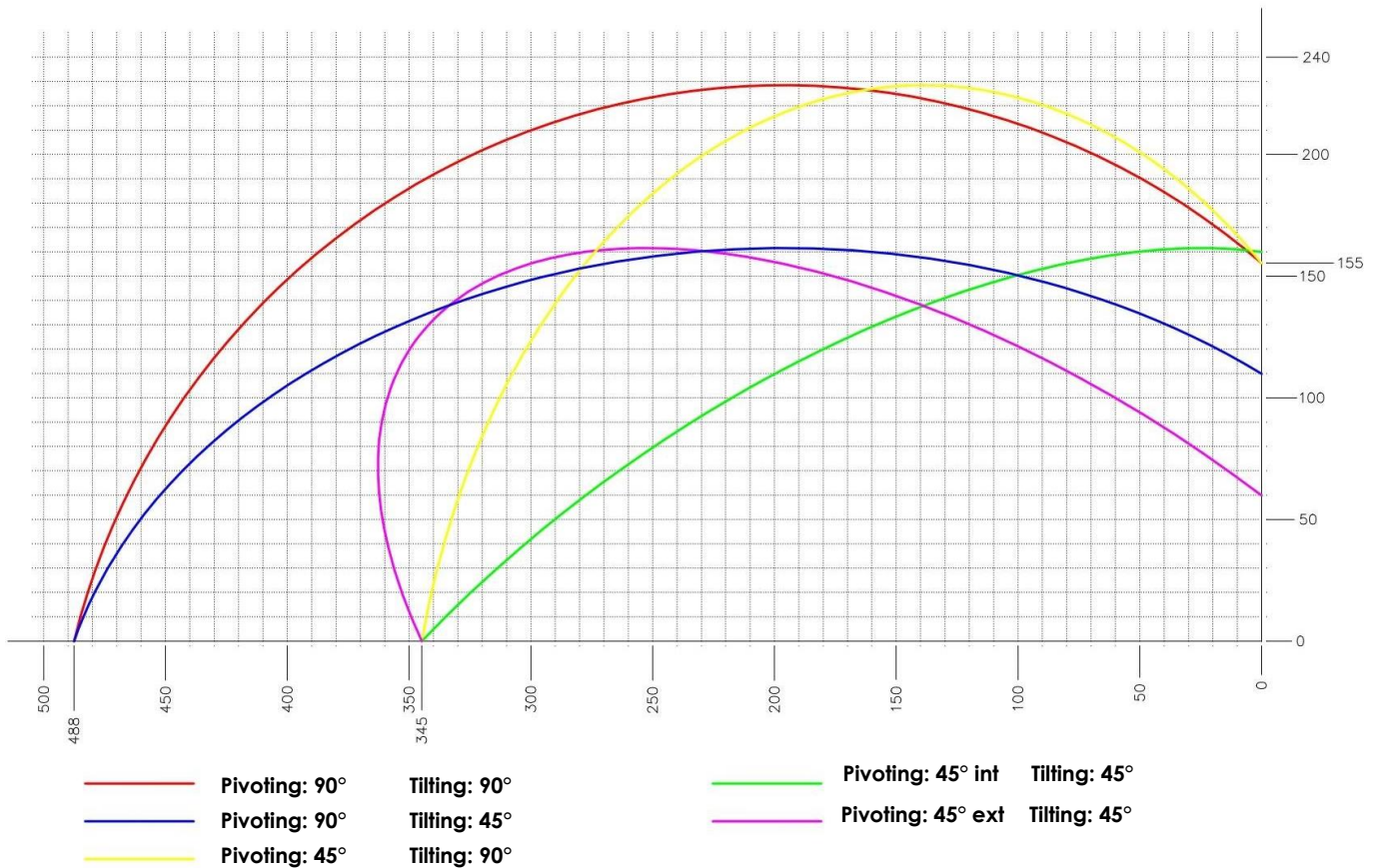
Opzionali

- Widia blade 600 mm (spare)
- Microdrop lubrication
- 1 horizontal pneumatic clamp
- Pneumatic pivoting stops 45° / 90° / 135°
- USA-CANADA setup (UL-CSA standards)
- Autotransformer for special voltage
- Ocean freight packaging

Machine layout



Cutting diagram





Gemma Group srl
Via Dante Alighieri, 6
47853 Coriano – Rimini – Italy
Tel. +39 0541 905811
www.gemma-group.com
email: info@gemma-group.com