

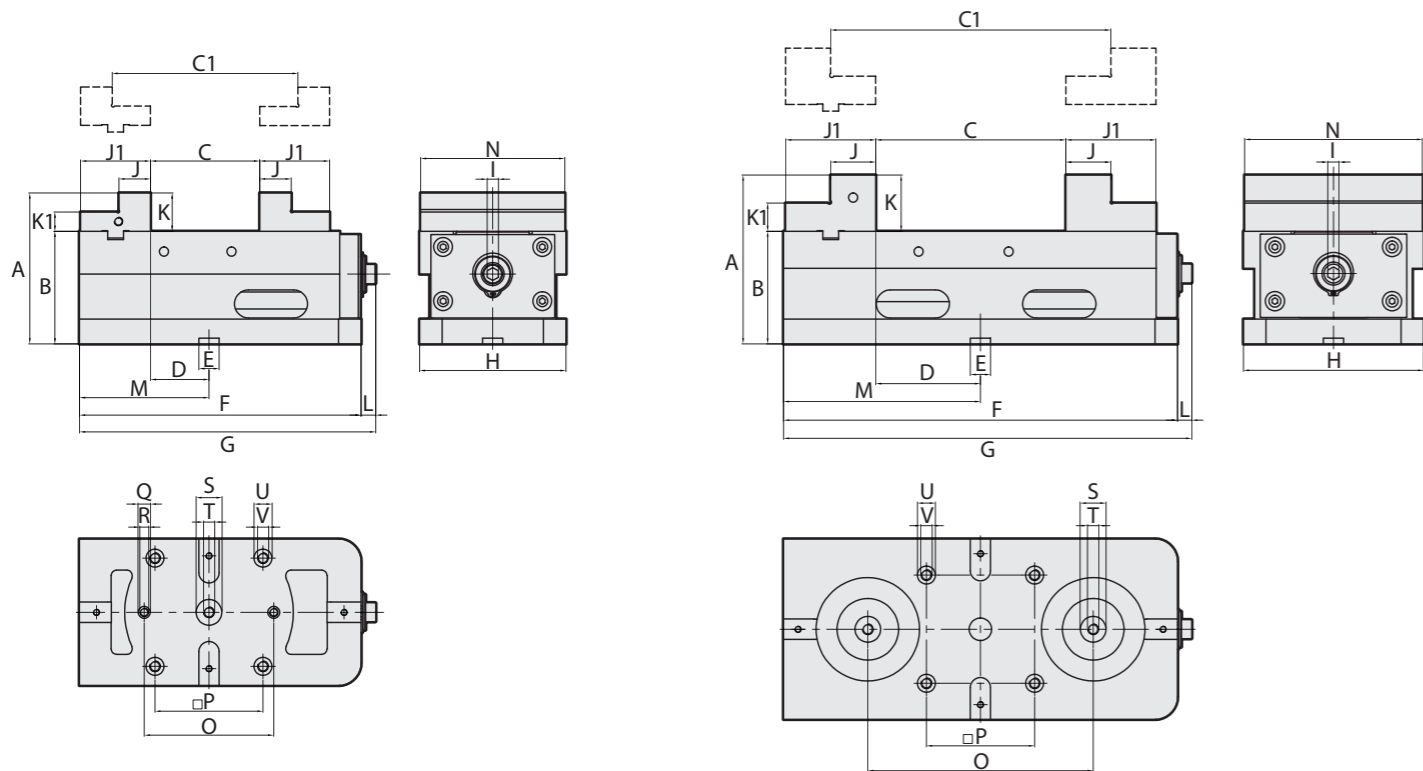
DIMENSIONS



ACM-130



ACM-160



SPECIFICATIONS (Material: Vise body S50C: HRC50° / Detachable Jaws SCM440: HRC55°)

Unit: mm

Model	A	B	C	C1	D	E	F	G	H	I	J	J1	K	K1	L	M	N	O	P
ACM-130	134	100	105	173	52	18	250	263	130	10	28	62	34	17	13	115	128	115	96
ACM-160	150	100	167	247	93	18	350	363	160	10	40	80	50	25	13	175	158	200	96

Model	Q	R	S	T	U	V	Max. Clamping Force	Weight (kg)
ACM-130	ø11H7	M8x1.25P	ø23H7	M10x1.5P	ø16H7	M10x1.5P	5000kg	22
ACM-160	-	-	ø23H7	M10x1.5P	ø16H7	M10x1.5P	5000kg	40



Factory: No.287, Sec. 1, Shenlin Rd., Daya Dist., Taichung City 428, Taiwan
Tel: 886-4-2567 2057 . 2566 6158 | **Fax:** 886-4-2567 2016 . 2568 6099
E-mail: homge@ms22.hinet.net | **http://www.homge.com.tw**



FIVE-AXIS COMPACT MULTI-POWER VISE

Significantly upgrade CNC Machining Centers

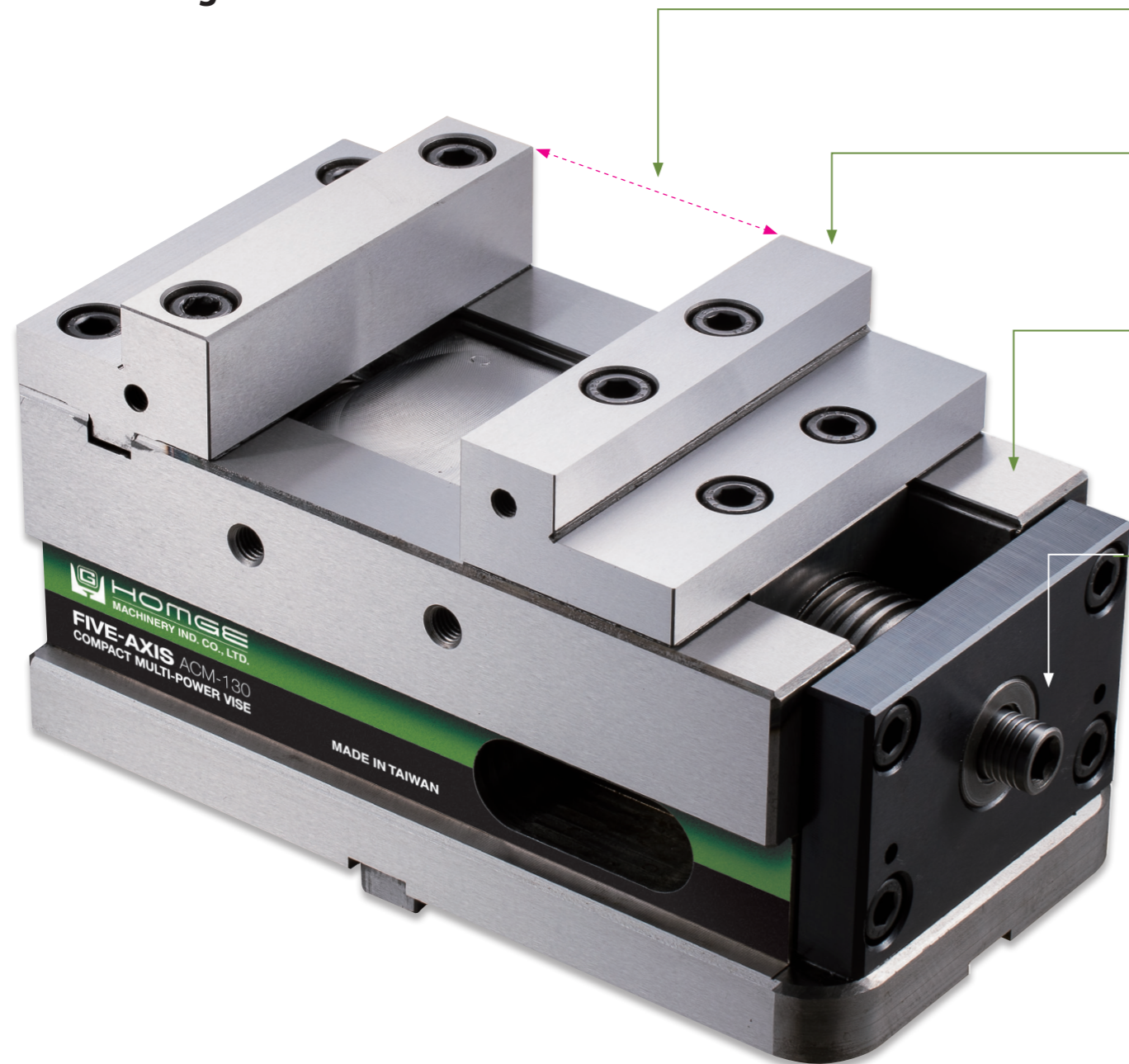


- Shortest Length with **Big Jaw Opening**
- Extremely High Accuracy and Repeatability
- Special **MULTI-POWER** design enhances clamping force of **0~5000KG**



FIVE-AXIS COMPACT MULTI-POWER VISE MODEL: ACM-130, 160

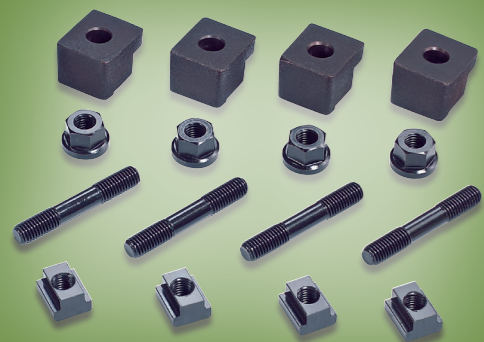
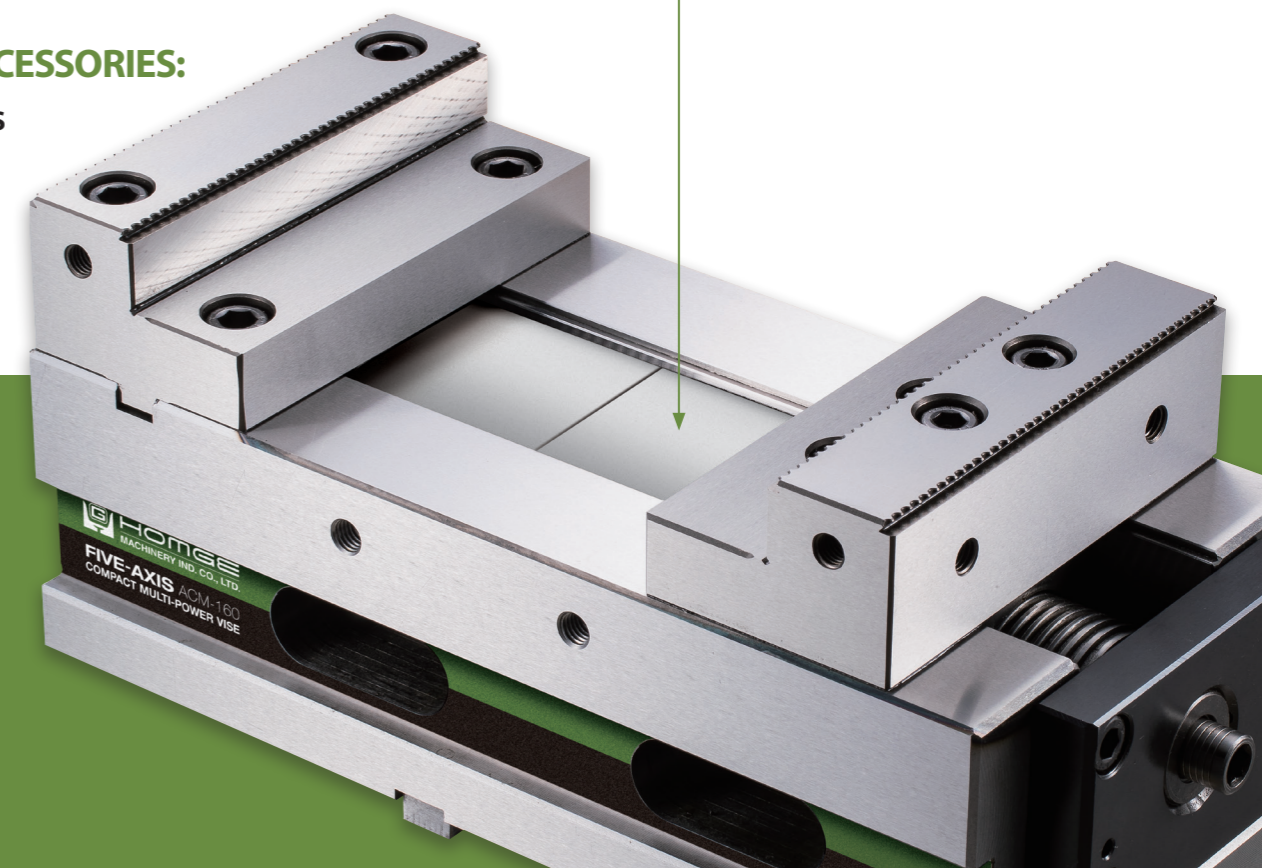
suitable for CNC 5-Axis Machining Centers, horizontal and vertical
CNC Machining Centers



1. Compact design with **big jaw opening**, which enhances machine space utilization.
2. Vise jaws are made of High quality **Tool Steel (SCM440)** and Hardened to achieve **HRC 55°**, which makes vise clamp the workpieces easily and firmly.
3. Vise body is made of **Ductile Iron** above **FCD 60** grade and its slideways are **hardened** to **HRC 52°**, which makes the vise tensile strength with high precision accuracy.
4. The patented **MULTI-POWER SYSTEM** is built of high grade **BEARING STEEL** which doubles the clamping force. Adjustable clamping force **0~5000kg**. With this special patented system the pressure is more consistent and eliminates oil leakage and maintenance problems associated with Hydraulic Vises.
5. Special Leadscrew Covers protect Leadscrew from swarf and avoid any possible damage to internal parts.

OPTIONAL ACCESSORIES:

- Serrated Jaws
- Soft Jaws



STANDARD ACCESSORIES

- 2 pcs of Alignment Wedge
- 4 pcs of Clamp
- 1 pc of Wrench