

MACHINE MODEL

CUBO 300 NCFLAT

Numerical control automatic sawing machine

Short description

CUBO 300 NC FLAT is the new IMET automatic sawing machine, part of the innovative CUBO Series. Numerical control machine with touch screen display, it is a professional work tool with great ease of use, ideal for utilization, ideal for the production of medium-sized pipes and bars, bow rotation is manual while it has automatic integrated material feeder.



Scan the video



Cutting capacity at 0°	Round: 255mm - Square : 230mm - Rectangular:300x180mm
Cutting capacity at 45°	Round: 210mm - Square : 190mm - Rettangular:200x160mm
Cutting capacity at 60°	Round: 135mm - Square : 110mm - Rettangular: 130x100mm
Cutting capacity with bundle device	250x130mm max - 90x10mm min.
Cutting capacity with solids (C45)	180mm
Blade motor	1.5kW
Blade speed	18-100 m/min
Blade dimensions	2765x27x0.9mm
Run of the feeder carriage	515mm
Motor of the feeder carriage	0.75kW
Minimal Scrap	210mm
Min.length cuttable in automatic cycle	0.75 mm
Hydraulic power unit tank capacity	20l
Coolant tank capacity	100l
Dimensions - weight - working height	2030x1830x1830mm - 1000kg - 870mm

Features



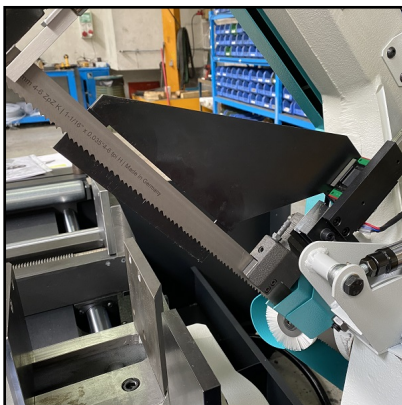
CUBO Series

CUBO Series is the IMET line of automatic sawing machines developed to optimize the user-experience thanks to the introduction of various stylistic and functional innovations. The ease of use and operator safety during the cutting process makes it the ideal professional tool in any environment .



Touch screen display

The touch screen display allows to set and manage all the machine settings like the total amount of pieces, the cutting lengths and error rilevation during the cutting process.



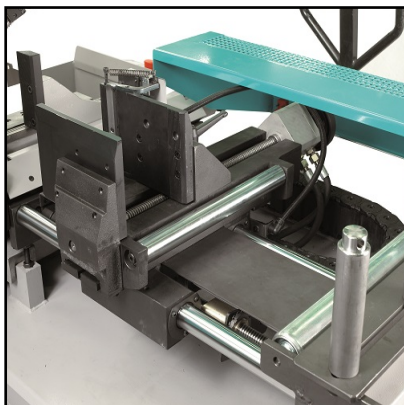
Automatic detection device

CUBO 300 NC-FLAT is equipped with an automatic detection device of the cutting material to optimize the bhe cutting process: the device facilitates the approach to the material during the descent of the bow , also adjusting the end of the cut and the ascent of the blade.



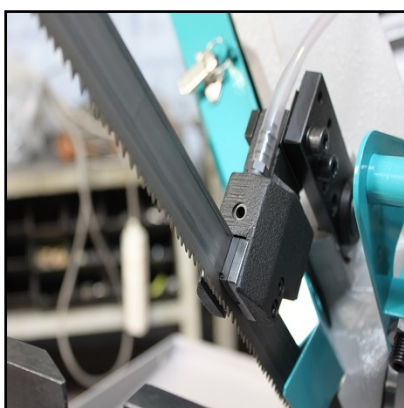
Numerical control

It allows to store up to 99 cutting programs by automatically calculating the total thickness of the blade of the pieces to be cut, settings of the cutting lengths and running of the automatic cutting cycle..



Feeder carriage

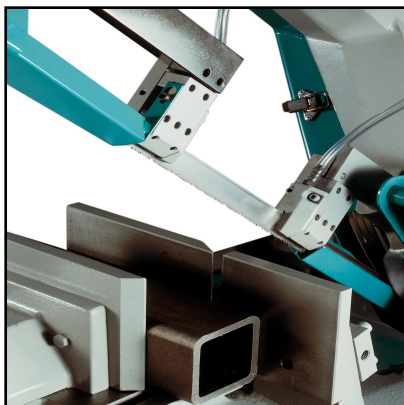
The feeder carriage has a maximum stroke of 515mm. The sliding takes place on chromed bars with high precision of the positioning due to the incremental feeding on recirculating ball screw by self-braking electric motor with inverter .



Blade

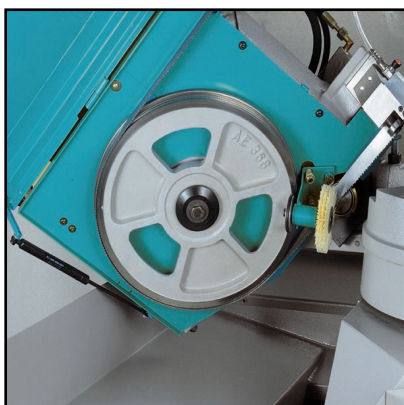
OPTIONAL

Bi-metal blade s(dimensions: 2765x27x0,9mm - Optional) easily replaceable. The blade of the CUBO 300 NC FLAT is equipped with a 1.5KW motor, 1700kg / cm² voltage to ensure maximum precision and drastic reduction of cutting times.



Blade guides

The blade guides have hard metal pads and additional front bearings for a better alignment of the blade during the cutting .



Cleaning of the blade

CUBO 300 NC FLAT mounts a motorized nylon blade cleaning brush to ensure maximum efficiency during the cutting process. .



Speed variation

OPTIONAL

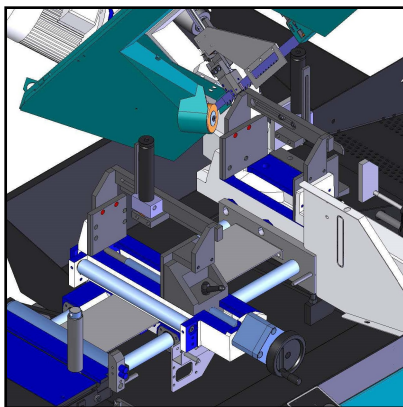
The machine is equipped with a series of inverters for speed variation (18-100 m / min).



Industry 4.0 Ready (Optional)

OPTIONAL

All the automatic sawing machines of the CUBO series can be connected to the company network via modem: it is also available the dedicated software Saw Factory for teleservice, assistance, programming and management from remote of the cutting process. Discover SAWFACTORY: <https://bit.ly/2RuxHuX>



Hydraulic bundle cutting device (Optional)

OPTIONAL

The CUBO automatic band saws in the BOX version can be used with the bundle cutting device. The bundle cut can only be used for 0° cutting. Single piece capacity with mounted device: 250x130mm max, 10mm min. Cutting capacity for bundle is: max 250x130mm, minimum 90x10mm. The device can be disassembled using the 2 screws on the fixed vice and the 2 on the carriage vice and disconnecting the hydraulic tubes using the quick couplings systems.



Minimal lubrication system (Optional)

OPTIONAL

It is possible to request for any type of machine the minimum lubrication that eliminates the dispersion of Typical coolant in the use of emulsifiable oil, the life of the blade does not come in any way affected With nozzle and tank 1,3 lt.



sawing technology

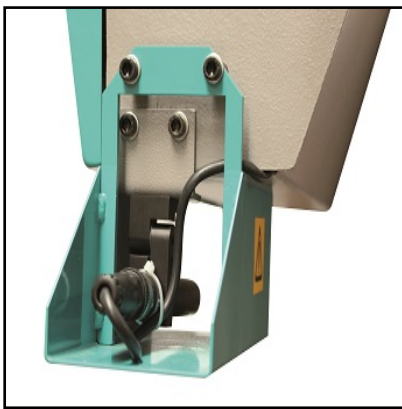
IMET SPA
Località tre fontane, 6 - 24034
Cisano Bergamasco (BG) Italy
Tel +39 035 4387911 | Fax +39 035 787066
imet@imetsaws.com
www.imetsaws.com

CUBO 300 NCFLAT



Motorized chip conveyor (Optional) OPTIONAL

It's available for all the CUBO SERIES automatic bandsaw an optional motorized chip conveyor placed laterally (on the loading side) of the machine. The chip conveyor allows to optimize the machine efficiency by removing remainings and chips while cutting.

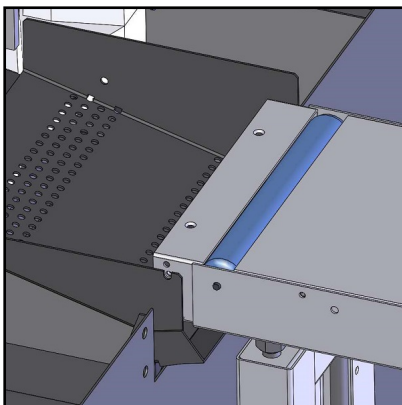


Laser ray (Optional) OPTIONAL



Pressure reducers (Optional) OPTIONAL

Pair of pressure reducers for hydraulic vices .



Connection element for roller table (Optional) OPTIONAL

Connection element for loading to connect machine to the roller table RTS.



Loading/unloading table (Optional)

OPTIONAL

Roller table compatible for both the loading side and the unloading side. 1st element, 2m long , capacity 700kg.



Loading / unloading roller table (Optional)

OPTIONAL

Following element for roller table compatible with both the loading and unloading sides, 2m long, capacity max. 600kg.



Upper horizontal rollers (Optional)

OPTIONAL

Upper horizontal rollers for cutting more bars on the same row (capacity 250x100mm).



Pair of containment roller (Optional)

OPTIONAL

Pair of containment vertical rollers 400 mm made in steel . Maximum 2 pairs for each element 2m long to use without rollers cover .