

BENDING MACHINE BM42 MACKMA

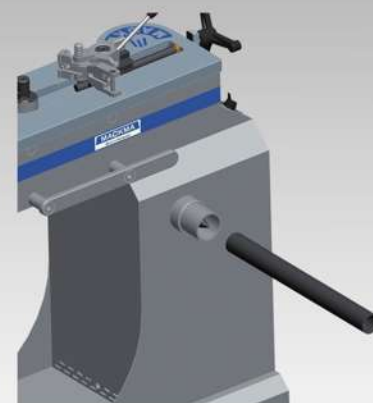
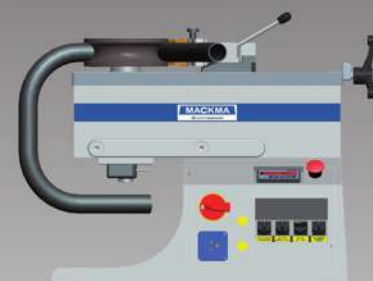
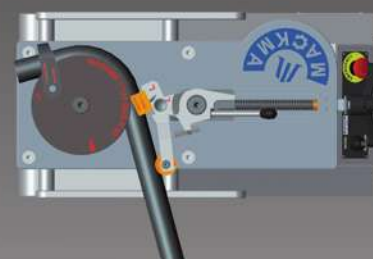
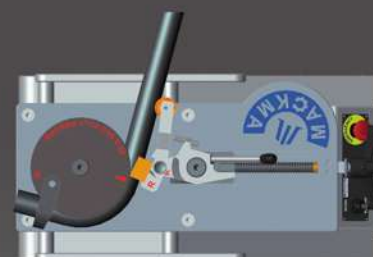
Perfect curves,
like a straight line.

Rightward and leftward bending
Underhead curvature
Integrated connection for pipe deburring tool
Variable speed
Low energy consumption

WARRANTY
2 YEARS
MACKMA



*Pipes Bending machine
BM42 Guideless,
electric, semi-automatic
and manual.*



BENDING MACHINE BM42 MACKMA

*Pipes Bending machine BM42
Guideless, electric, semi-automatic
and manual.*

The **BM42 Bending Machine** is **THE ONLY ONE guideless pipes bending machine** able to bend the pipes either rightward, either leftward, by means of particular tools engineered and constructed by us.

Another peculiarity of the **BM42 Bending Machine**, that makes it **UNIQUE**: is equipped with a connection for the installation of a internal/external conical deburring tool for pipes.

The innovative design allows the bending of pipes up to 48 mm in diameter and 1,5 mm in thickness, with a minimum of 3xOD and maximum of 260 mm curvature radius, granting a great repeatability of the performances even for the most demanding markets.

The curvature axis is monitored by a dedicated inverter, so that the rotation spans from a minimum of 2 rpm up to a maximum of 3 rpm, giving thanks to the installed potentiometer, that allows to select the best suited rotation speed to the particular pipe in bending.

The **"cantilever head"** allows the realization of complex figures, that require the passing of the pipes underhead.

The particular design of the "shaft" system allows to interface the tools of all the bending machines from all the Competitors actually on the market. The inverter controlled engine allows to reduce to the minimum the energy consumption.

Mackma uses only 100% Italian High Quality components, guarantee of long lasting use (Mackma 2 Years Warranty).



The image shown above is understood as a preliminary indication. MACKMA reserves the right to change form and function which are used exclusively for innovative improvements.

MACKMA
GRUPPO MASSARO

Via Volla snc
03030 Piedimonte San Germano (FR)
Tel. +39 0776 404326 - 403489
Fax +39 0776 403460
info@mackma.com
www.mackma.com



SUITABLE FOR THE SECTORS:

*Industrial Technical Tools
Furnitures
Automotive
Motorcycles and Maritime
Sport and Wellness*



MAIN TECHNICAL DATA BM42

Pipe Max Outer Diameter	48	mm
Max Torque	1800	N/m
Diameter using FE – 42 kg/mq	42x3	mm
Diameter using FE – 35 kg/mq	48x1,5	mm
Diameter using AISI 304/316 – 65 kg/mq	42x1,5	mm
Maximum radius	260	mm
Height of the head	188	mm
Projection of the head	242	mm
Max curvature angle	180°	
Minimum rotation speed	2	rpm
Maximum rotation speed	3	rpm
Bending direction	rightward and leftward	
Electric tension	220/400	V
Max installed power	0,75	KW
Weight	90	Kg
Dimensions (WxhxL)	347x550x655 mm	
Operating temperature	0 - 50°	

dm DELAHENTY MACHINERY PTY. LTD.
Machine Tool Merchants

14 Parkhurst Drive Knoxfield Victoria Australia 3180
Tel: (03) 9800 1544 Fax: (03) 9800 1344
www.delahenty.com.au